

3.5" and 5.7" Quick Mount HMI: GP4x01M Series



TouchPanel
Operation



3.5 and 5.7 inch TFT Color LCD
Fan-less, Diskless Quick Mount HMI

DC24V

QVGA

3.5-inch

5.7-inch

GP4x01M

Model: PFXGM4201TAD,
PFXGM4301TAD

Powered by








Features:

- 65,536 color, LED backlit TFT color LCD Display
- Separate Front and Rear Module all for quick installation in 22mm hole
- 64-bit RISC CPU for ultra-fast screen refresh and communication
- No grid analog touch panel for improved visibility and precise part placement
- Supports a large range of Serial or Ethernet protocols (communicates to one selected driver)
- USB Interfaces can be used for project transfer and to connect code readers
- Programmed with the versatile GP-Pro EX Screen Development Software

Specifications

Model		GP-4301TM	GP-4201TM
Order Numbers		PFXGM4301TAD	PFXGM4201TAD
Graphics Display Resolution		320 x 240 pixels (QVGA)	
Display	Type	5.7" TFT Color LCD	3.5" TFT Color LCD
	Colors	65k colors	
	Backlight	White LED Backlit, service life: 50,000 hrs. at 25°C (77°F) and 24 hr. operation	
	Resolution	320 x 240 pixels (QVGA)	
	Brightness Adjustment	16 Levels, adjustable through system menu and software	
	Contrast Adjustment	not applicable	
	Touch Panel	Resistive Film (Analog) 1024 x 1024 pixels	
Memory	Application	8MB Flash EPROM	
	Data Backup	No backup memory, 128Kb of Application memory may be used (see GP-Pro EX software manual for details)	
Interfaces	Serial (COM1)	1x RS-232C/422/485, 9 pin D-sub (Plug), Speed: 2,400bps to 115,200bps & 187,500bps (for MPI protocol)	
	Ethernet	1x Ethernet IEEE802.3i/u, 10-BASE-T / 100BASE-TX, RJ45	
	USB	1x USB 2.0 (Host) Type A with DC5V Power Supply 1x USB 2.0 (Host) Type mini-B	
	CF Card	not applicable	

General Specifications

Model		GP-4301TM	GP-4201TM
Electrical	Input Voltage	24V DC	
	Rated Voltage	20.4V DC to 28.8V DC	
	Power Consumption	6.8 W or less	6.5 W or less
Environmental	Ambient Operating Temperature	0°C (32°F) to 50°C (122°F)	
	Storage Temperature	-20°C (-4°F) to 60°C (140°F)	
	Humidity	85% Relative Humidity (non condensing)	
	Altitude Operation	800hPa to 1,114hPa, 2000 meters (6,561ft) above sea level or lower	
	Vibration & Shock Resistance	IEC/EN61131-2 compliant, 5 to 9 Hz Single amplitude 3.5mm [0.14in], 9 to 150 Hz Fixed acceleration: 9.8m/s ² X, Y, Z directions for 10 cycles (100 minutes)	
Structural	Ratings	NEMA #250 Type 4x, Display module IP65f (IEC60529), Rear Module IP20 (IEC60529)	
	Certifications	UL508 and CSA-C22.2 No.142, UL1604 / ANSI/ISA 12.12.01 and CSA-C22.2 No.213 (Class I, Div 2, Groups A, B, C and D), CE, RoHS, 2004/108/EC EMC Directive, GOST-R, KC, DNV	
	External Dimensions (Front Module)	W 163mm [6.41in] x H 129.4mm [5.09in] x D 17.5mm [0.69in] (Depth refers to bezel only)	W 97.6mm [3.84in] x H 80mm [3.14in] x D 16.2mm [0.63in] (Depth refers to bezel only)
	External Dimensions (Rear Module)	W 118mm [4.64in] x H 98.1mm [3.86in] x D 30.6mm [1.20in]	
	Cooling Method	Natural Air Circulation	
	Weight	0.62kg [1.36lbs]	0.36kg [0.79lbs]
	Warranty	Two year standard	

Communication Capabilities

Rockwell Automation	DF1	Mitsubishi Electric	A and FX Series Computer Link
	DH485		A and FX Series Ethernet
	Ethernet		FX, Q and QnA Series CPU Direct
Siemens AG	SIMATIC S7 MPI Direct	Digital Electronics	Q/QnA Series Serial and Ethernet
	SIMATIC S7 Ethernet		QUTE Series CPU Direct
Modbus-IDA	Modbus Master (RTU/TCP)		
Omron Corporation	C/CV Series HOST Link	Digital Electronics	General Ethernet / Serial
	CS/CJ Series HOST Link		Memory Link (SIO/ETH)
	CS/CJ Series Ethernet	Keyence	KV700/1000/3000/5000 CPU Direct KV-10 80 RW/TW CPU Direct
Yaskawa Electric	MP Series SIO (Extension)	The list above is a small selection of the many drivers that are supported by the GP4x01M HMI. In addition to these drivers the GP4x01M Series HMI support USB code readers and USB Storage Devices for Project Transfer without PC.	
	MP / SERVO Ethernet		
Koyo Electronics / Automation Direct	KOSTAC/DL Series CCM SIO	Pro-face continuously adds and updates drivers and makes these available free of charge on the Otasuke-Pro! Technical Support website. For a full list of supported drivers, new drivers and updates visit: https://www.hmिसource.com/otasuke/download/update	
	KOSTAC/DL Series Modbus TCP		
Fuji Electric	Micrex-F Series SIO		
	Micrex-SX Series SIO		
	Micrex-SX Series Ethernet		

Ordering Information

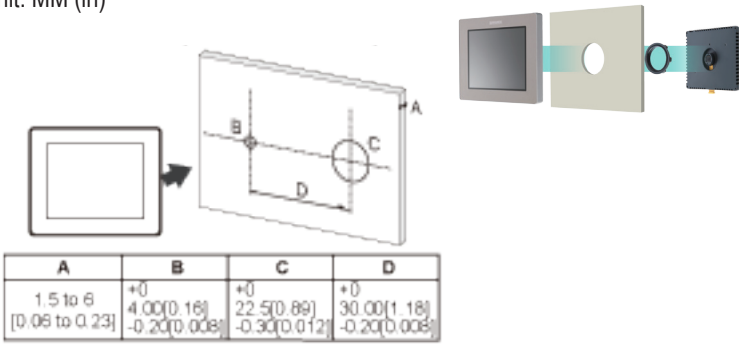
Part Number	Description
PFXGM4301TAD	5.7" TFT, 1 Serial, 2 USB, Ethernet, 22mm Quick Mount, 24VDC
PFXGM4201TAD	3.5" TFT, 1 Serial, 2 USB, Ethernet, 22mm Quick Mount, 24VDC

Optional Items

Part Number	Product Name
EX-ED-Vxx	GP-Pro EX Development Software (download version), xx refers to current version
EX-ED-Vxx-DVD	GP-Pro EX Development Software (download version + DVD backup media), xx refers to current version
PFXZGMAK1	1x Replacement Anti Rotation Tee, USB Cable Clamp (1 each Type A and Type mini-B, 1x 2mm spacer (panel thickness adjustment))
PFXZGMNT1	Replacement display module installation nut (qty/10)
PFXZGMSW1	Replacement Socket Wrench
PFXZGMCNDC1	Replacement DC Power connector (qty 5)
PFXZCBDS61	Hard Screen Protection Cover for GM4301 (qty 5)
CA6-DFS4-01	Hard Screen Protection Cover for GM4201 (qty 5)
CA5-USBEXT-01	USB extension cable for front panel USB access (USB Type A), 1m
ZC9USEXMB1	USB extension cable for front panel USB access (USB Type mini-B), 1m
CA6-USB232-01	USB to Serial (RS232C) Conversion Cable, 0.5m
ZC9USCBMB1	USB Transfer Cable (USB Type A to USB Type mini-B), 1.8m

Cut-Out Dimensions

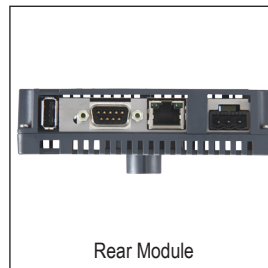
Unit: MM (in)



Software Compatibility



Powered By
Screen Editor
GP-Pro EX
HMI Development Software
(Version 2.71 or newer)



Pro-face America
Phone: 734.477.0600
Fax: 734.864.7347
www.profaceamerica.com
DS-GP4x00M(C)

Customer Service Hotline: 800.289.9266

For more information

ACCESS www.profaceamerica.com

Pro-face



California Proposition 65 Warning—Lead and Lead Compounds

Advertencia de la Proposición 65 de California—Plomo y compuestos de plomo

Avertissement concernant la Proposition 65 de Californie—Plomb et composés de plomb

⚠ WARNING: This product can expose you to chemicals including lead and lead compounds, which are known to the State of California to cause cancer and birth defects or other reproductive harm. For more information go to: www.P65Warnings.ca.gov.

⚠ ADVERTENCIA: Este producto puede exponerle a químicos incluyendo plomo y compuestos de plomo, que es (son) conocido(s) por el Estado de California como causante(s) de cáncer y defectos de nacimiento u otros daños reproductivos. Para mayor información, visite : www.P65Warnings.ca.gov.

⚠ AVERTISSEMENT: Ce produit peut vous exposer à des agents chimiques, y compris plomb et composés de plomb, identifiés par l'État de Californie comme pouvant causer le cancer et des malformations congénitales ou autres troubles de l'appareil reproducteur. Pour de plus amples informations, prière de consulter: www.P65Warnings.ca.gov.

All trademarks are the property of Schneider Electric SE, its subsidiaries, and affiliated companies.

Schneider Electric USA, Inc.
800 Federal Street
Andover, MA 01810 USA
888-778-2733
www.schneider-electric.us

Todas las marcas comerciales son propiedad de Schneider Electric SE, sus filiales y compañías afiliadas.

Importado en México por:
Schneider Electric México, S.A. de C.V.
Av. Ejercito Nacional No. 904
Col. Palmas, Polanco 11560 México, D.F.
55-5804-5000
www.schneider-electric.com.mx

Toutes les marques commerciales sont la propriété de Schneider Electric SE, ses filiales et compagnies affiliées.

Schneider Electric Canada, Inc.
5985 McLaughlin Road
Mississauga, ON L5R 1B8 Canada
800-565-6699
www.schneider-electric.ca